

Enrollable Titán / Titan roller blind

Perfiles / Profiles

Ref.	Artículo / Article	Uni.	Datos / Data	Color	Mat.
320758	Tubo enrollable 44 / Roller tube 44	58,5m	Ø44mm	Al	Alum
321458	Tubo enrollable 48 / Roller tube 48	23,4m	Ø48mm	Al	Alum

Tubos adaptables / Adaptable tubes

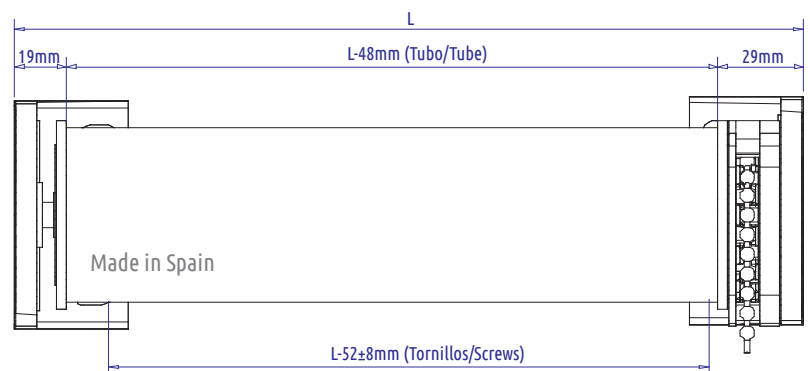
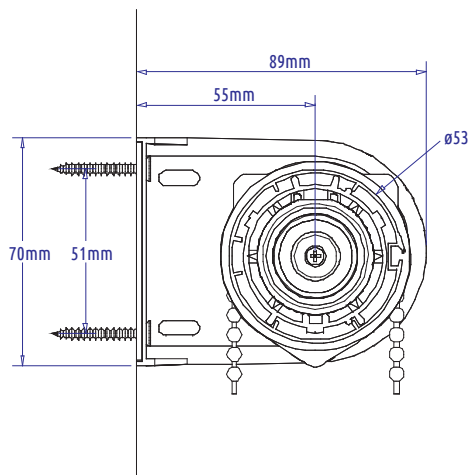
320558	Tubo enrollable 53 / Roller tube 53	46,8m	Ø53mm	Al	Alum
321558	Tubo enrollable 58 / Roller tube 58	23,4m	Ø58mm	Al	Alum
311512	Multiadaptador / Multiadapter	20 u.	Ø44 --> Ø53-58	5 colors	POM

Sistema Titán / Titan system

Rel. 1:4

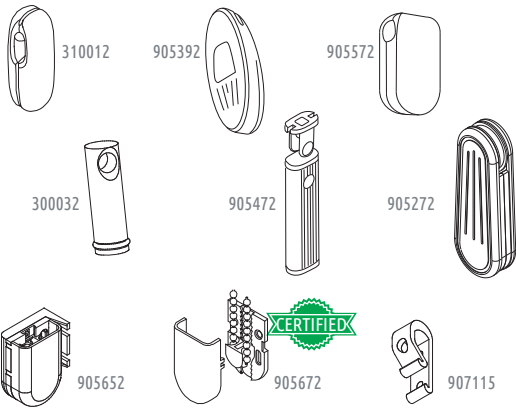
Ref.	Artículo / Article	Uni.	Datos / Data	Color	Mat.
311642	Freno Titán / Titan control unit 1:4	40 u.	Ø44 max. 8kg	5 colors	PA
312642	Contera Titán / Titan end plug	20 u.	Ø44x55mm	5 colors	POM
312712	Tapa Titán / Titan bracket cover	80 u.	90x70x37mm	5 colors	PP
302732	Tapa Lynx Titán / Lynx Titan bracket cover	80 u.	70x90x40mm	5 colors	PP
311712	Soporte Titán / Titan bracket	40 u.	5,5cm	5 colors	Met
321192	Soporte central / Central support 5,5cm	30 sets	1mando/control	5 colors	Met
301182	Soporte central / Central support 5,5cm	50 sets	2mandos/controls	5 colors	Met
301062	Tapa-tornillos / Screws cover	100 u.	Levante	5 colors	PP
312842	Extensión soporte / Support extension	20 u.	20mm Lynx Titán	5 colors	PP

Medidas instalación / Installation measures



Colores Titán / Titan colors

B Blanco / White **Bg** Beis / Beige **G** Gris / Grey **N** Negro / Black **M** Marrón / Brown



Contrapesos / Counterweights

Ref.	Artículo / Article	Uni.	Datos / Data	Color	Mat.
310012	Contrapeso Rutroller / Rutroller count.	60 u.	25g Ø20x60	B G N Bg Tr	PP
905392	Contrapeso Turín / Turin counterweight	40 u.	48g 90x36x17	B G N Bg	PP
905572	Contrapeso Roma / Rome counterw.	40 u.	64g 59x37x20	B	PP
300032	Cont. Rutdecor / Rutdecor counterweight	25 u.	108g Ø20x65	Cn Cr Gt	Met
905472	Contrapeso Sidney / Sydney counterw.	40 u.	110g 100x15x32	B	ABS
905272	Contrapeso especial / Special counterw.	32 u.	115g 98x20x35	B G N	PP
905652	Tensor Lorca / Lorca taut	50 u.	47x22mm	B G N Bg	POM
905672	Tensor Murcia / Murcia taut	250 u.	47x32mm	B G N Bg	POM
907115	Tensor Yecla / Yecla taut	100 u.	50x20x16mm	Tr	PC

Aros cadena / Chain rings

Artículo / Article	Uni.	Datos / Data	Color	Mat.
Aros cadena continua / Continuous chain rings	100 u.	Ø4,5x6mm	B G Bg N M Tr	POM
688202 - 200cm=1,00m long.	688352 - 350cm=1,75m long.	688502 - 500cm=2,50m long.		
688254 - 250cm=1,25m long.	688402 - 400cm=2,00m long.	688602 - 600cm=3,00m long.		
688302 - 300cm=1,50m long.	688452 - 450cm=2,25m long.	688802 - 800cm=4,00m long.		
Aros cadena metálicos / Metallic chain rings	10 u.	Ø4,5x6mm	Cr	Met
687201 - 200cm=1,00m long.	687351 - 350cm=1,75m long.	687501 - 500cm=2,50m long.		
687251 - 250cm=1,25m long.	687401 - 400cm=2,00m long.	687551 - 550cm=2,75m long.		
687301 - 300cm=1,50m long.	687451 - 450cm=2,25m long.	687601 - 600cm=3,00m long.		

