

Enrollable Mega / Mega roller blind

Tubo de acero / Steel tube

Ref.	Artículo / Article	Uni.	Datos / Data	Color	Mat.
390450	Tubo Ø78 Mega / Mega Ø78 tube	25m	Ø76-78mm	Galvan.	Met
608660	Varilla de fibra / Fibre rod	600m	Ø6mm 6m	B	FV

SopORTE y contera / Bracket and end plug

Ref.	Artículo / Article	Uni.	Datos / Data	Color	Mat.
393755	SopORTE 75mm / 75mm support	8 u.	100x127x47mm	Zn	Met
394752	Tapa Mega / Mega support cover	8 u.	105x128x13mm	5 colors	PP
394702	Tapatornillos Mega / Mega screw-cover	8 u.	105x53x20mm	5 colors	PP
392782	Contera hembra 78 / 78 Female end plug	4 u.	Ø78x79mm	5 colors	PP
392792	Contera macho 78 / 78 Male end plug	4 u.	Ø78x122mm	5 colors	PP

Sistema a manivela / Crank system

Ref.	Artículo / Article	Uni.	Datos / Data	Color	Mat.
395042	Máquina sin fin / Gear without stop	25 u.	Rel. 4,7:1	B N	Met
395782	Contera SQ2 78 / SQ2 78 End plug	4 u.	Eje/axis 20mm	5 colors	PP
396072	Máquina sin fin / Gear without stop	25 u.	Rel. 7:1	B N	Met
396112	Máquina sin fin / Gear without stop	25 u.	Rel. 11:1	B N	Met
396782	Contera SQ3 78 / SQ3 78 End plug	4 u.	Eje/axis 32mm	5 colors	PP

Sistemas motorizados / Motorized systems

Ref.	Artículo / Article	Uni.	Datos / Data	Color	Mat.
721401	Motor Ø45 - 15Nm - 30rpm	1 u.	Mechanic stop	-	Met
721411	Motor Ø45 - 15Nm - 30rpm	1 u.	Obstacle detection	-	Met
723450	Eje+corona Ø50 / Ø50 Shaft+crown	1 u.	Ø50mm	4 colors	PP
723470	Eje+corona Ø70 / Ø70 Shaft+crown	1 u.	Ø70mm	4 colors	PP
723478	Eje+corona Ø78 / Ø78 Shaft+crown	1 u.	Ø78mm	4 colors	PP
723401	Anclaje SAM / SAM lock	1 u.	Ø68x21mm	Cr	Met
722011	Mando a distancia / remote control	1 u.	1 canal/channel	B	ABS
722017	Mando multicanal / remote control	1 u.	7 canales/channels	B	ABS
721301	Motor Ø35 - 5Nm - 30rpm	1 u.	Mechanic stop	-	Met
721311	Motor Ø35 - 5Nm - 30rpm	1 u.	Electronic stop	-	Met
723344	Eje+corona Ø44 / Ø44 Shaft+crown	1 u.	Ø44mm	4 colors	PP
723301	Adaptador SAM / SAM adapter	1 u.	motor Ø45 -> Ø35	Cr	Met

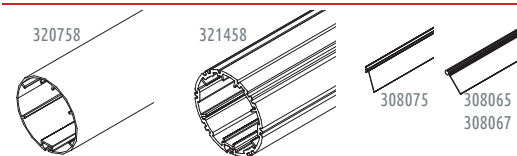
Accesorios / Accessories

Ref.	Artículo / Article	Uni.	Datos / Data	Color	Mat.
826121	Taco Ø12 / Ø12 Plug	100 u.	Ø12x60mm	G	PA
853842	Tornillo 8x60 / Screw 8x60	100 u.	DIN571	Zn	Met

Colores Mega / Mega colors

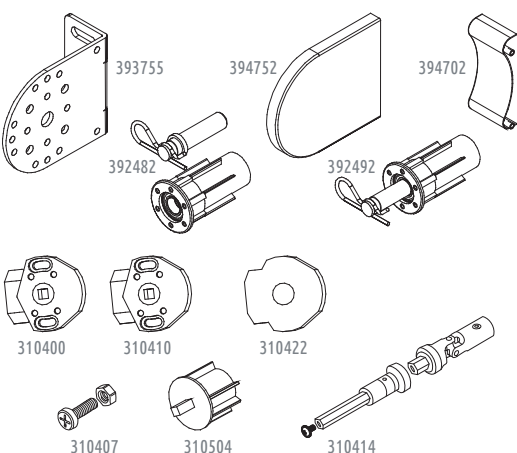
- B Blanco / White
 Bg Beis / Beige
 G Gris / Grey
 N Negro / Black

Tubos aluminio Ø44 a Ø48 / Aluminium tubes from Ø44 to Ø48



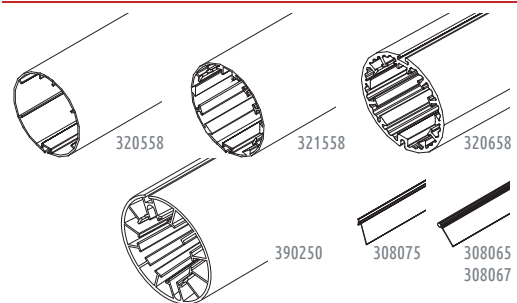
Ref.	Artículo / Article	Uni.	Datos / Data	Color	Mat.
320758	Tubo enrollable 44 / Roller tube 44	58,5m	Ø41-44mm	Al	Alum
321458	Tubo enrollable 48 / Roller tube 48	23,4m	Ø41-48mm	Al	Alum
308075	Macarrón plano / Plane plastic strip	200m	4,5mm	Tr	PVC
308065	Macarrón redondo / Round plastic strip	200m	Ø3x19x0,7mm	Tr	PVC
308067	Macarrón redondo / Round plastic strip	200m	Ø3x19x0,7mm	Bg	PVC

Soporte y contera / Bracket and end plug



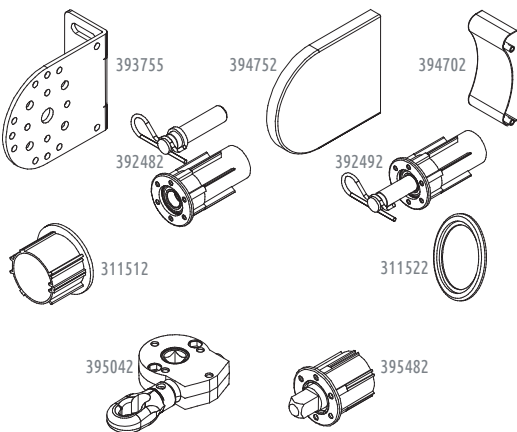
393755	Soporte 75mm / 75mm support	8 u.	100x127x47mm	Zn	Met
394752	Tapa Mega / Mega support cover	8 u.	105x128x13mm	5 colors	PP
394702	Tapatornillos Mega / Mega screw-cover	8 u.	105x53x20mm	5 colors	PP
392482	Contera hembra 48 / 48 Female end plug	8 u.	Ø48x79mm	5 colors	POM
392492	Contera macho 48 / 48 Male end plug	8 u.	Ø48x79mm	5 colors	POM
310400	Máquina sin fin 3,5:1 / Gear without stop	25 u.	20x60x60mm	Zn	Met
310410	Máquina con fin 3,5:1 / Gear with end-stop	25 u.	20x60x60mm	Zn	Met
310422	Tapa máquina / Gear cover	25 u.		Bg G B N	ABS
310407	Set anclaje manivela / Screw set	25 sets	M6x25mm	Zn	Met
310504	Contera cuadrada / Square end plug	25 u.	7x7mm - Ø44mm	N	PP
310414	Esnodo magnético / Magnetic	25 sets	Ø23x150mm	B	Met

Tubos aluminio Ø53 a Ø80 / Aluminium tubes from Ø53 to Ø80



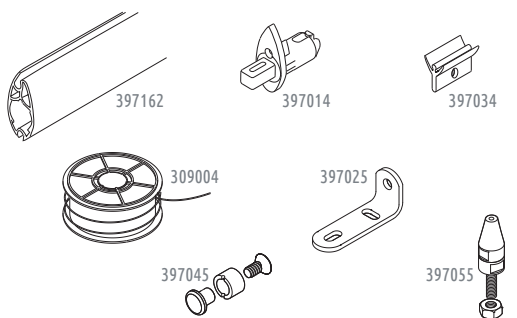
Ref.	Artículo / Article	Uni.	Datos / Data	Color	Mat.
320558	Tubo enrollable 53 / Roller tube 53	46,8m	Ø51-53mm	Al	Alum
321558	Tubo enrollable 58 / Roller tube 58	23,4m	Ø51-58mm	Al	Alum
320658	Tubo enrollable 65 / Roller tube 65	10m	Ø51-65mm	Al	Alum
390250	Tubo enrollable 80 / Roller tube 80	10m	Ø51-80mm	Al	Alum
308075	Macarrón plano / Plane plastic strip	200m	4,5mm	Tr	PVC
308065	Macarrón redondo / Round plastic strip	200m	Ø3x19x0,7mm	Tr	PVC
308067	Macarrón redondo / Round plastic strip	200m	Ø3x19x0,7mm	Bg	PVC

Soporte y contera / Bracket and end plug



393755	Soporte 75mm / 75mm support	8 u.	100x127x47mm	Zn	Met
394752	Tapa Mega / Mega support cover	8 u.	105x128x13mm	5 colors	PP
394702	Tapatornillos Mega / Mega screw-cover	8 u.	105x53x20mm	5 colors	PP
392482	Contera hembra 48 / 48 Female end plug	8 u.	Ø48x79mm	5 colors	POM
392492	Contera macho 48 / 48 Male end plug	8 u.	Ø48x79mm	5 colors	POM
311512	Multiadaptador / Multiadapter	20 u.	Ø44 --> Ø53-58	5 colors	POM
311522	Arandela Ø70 / Ø70 ring	10 u.	Ø50 --> Ø70	5 colors	POM
395042	Máquina sin fin / Gear without stop	25 u.	Rel. 4,7:1	B N	Met
395482	Contera SQ Ø48 / Ø48 SQ End plug	8 u.	Eje/axis 20mm	5 colors	POM

Sistemas de guiado / Guided systems



Ref.	Artículo / Article	Uni.	Datos / Data	Color	Mat.
397162	Contrapeso Mega / Mega bottom rail	58,5m	24x54mm	6 colors	Alum
397014	Guía cable Mega / Cable guide Mega	32 u.	25x55mm	N	PA
397034	Tirador Mega / Mega tie down	32 u.	25x33x46mm	N	PA
309004	Bobina cable / Cable bobbin	100m	Ø3,2mm	Zn	Met
397025	Escuadra inox Mega / Mega inox bracket	24 u.	80x36mm	inox	Met
397045	Tensor lateral / Side wire guide bush	16 u.	Ø20x19mm	inox	Met
397055	Tensor vertical / Vertical wire guide bush	16 u.	Ø20x73mm	inox	Met