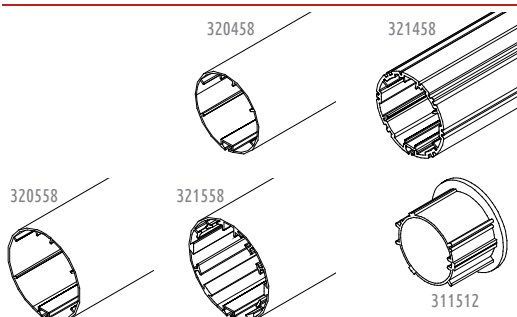


Enrollable Levante / Levante roller blind

Perfiles / Profiles



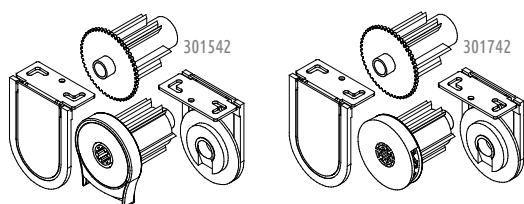
Ref.	Artículo / Article	Uni.	Datos / Data	Color	Mat.
320458	Tubo enrollable 44 / Roller tube 44	58,5m	Ø44mm	Al	Alum
321458	Tubo enrollable 48 / Roller tube 48	23,4m	Ø48mm	Al	Alum

Tubos adaptables / Adaptable tubes

320558	Tubo enrollable 53 / Roller tube 53	46,8m	Ø53mm	Al	Alum
321558	Tubo enrollable 58 / Roller tube 58	23,4m	Ø58mm	Al	Alum
311512	Multiadaptador / Multiadapter	20 u.	Ø44 --> Ø53-58	5 colors	POM

Sistema Levante II / Levante II system

Rel. 1:2

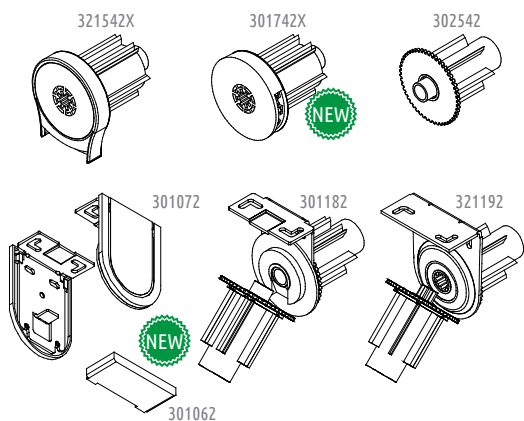


Ref.	Artículo / Article	Uni.	Datos / Data	Color	Mat.
------	--------------------	------	--------------	-------	------

Sets completos / Complete sets

301542	Set Levante II / Levante II set 1:2	30 sets	Ø44 max.4kg	5 colors	POM
301742	Set LSC / LSC set 1:2	30 sets	Ø44 max.4kg	5 colors	POM

Piezas sueltas / Separate parts



321542X	Freno Levante II / Levante II control unit 1:2	50 u.	Ø44 max.4kg	5 colors	POM
301742X	Freno LSC / LSC control unit 1:2	50 u.	Ø44 max.4kg	5 colors	POM
302542	Contera Levante II / Levante II end plug	100 u.	Ø44mm	5 colors	POM

Soportes / Supports

301072	Set soportes+tapas / Supports+caps set	50 u.	5,5cm	5 colors	Met
301182	Soporte central / Central support 5,5cm	50 sets	2mandos/controls	5 colors	Met
321192	Soporte central / Central support 5,5cm	30 sets	1mando/control	5 colors	Met

Tapa-tornillos / Screws cover

301062	Tapa-tornillos / Screws cover	100 u.	Levante	5 colors	PP
--------	-------------------------------	--------	---------	----------	----

Muelles de compensación / Springs assist

318100	Muelle compensación / Spring assist	15 u.	Ø44/48 der./right	B	Met
318200	Muelle compensación / Spring assist	15 u.	Ø44/48 izq./left	A	Met

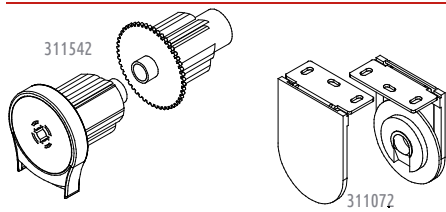
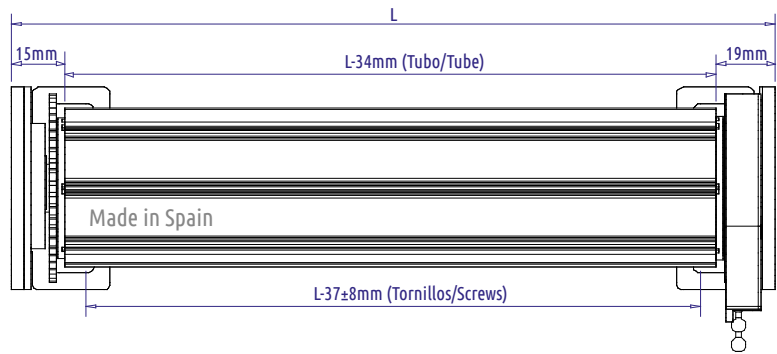
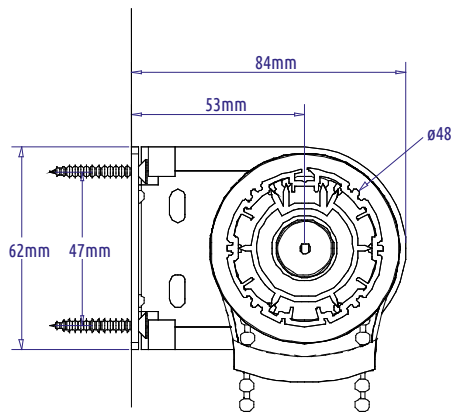
Decorativos / Decorative

321534X	Freno Levante II / Levante II control unit 1:2	50 u.	Ø44 max.4kg	plata/silver	POM
302645	Set tapas decorativas / Decorative caps set	10 u.		plata/silver	PA

Colores Levante II / Levante II colors

B Blanco / White **Bg** Beis / Beige **G** Gris / Grey **N** Negro / Black **M** Marrón / Brown

Medidas instalación / Installation measures



Sistema Levante / Levante system

Rel. 1:2

Ref.	Artículo / Article	Uni.	Datos / Data	Color	Mat.
311542	Set Levante / Levante set 1:2	35 sets	Ø44 max.4kg	B G Bg N	POM
311072	Set soportes+tapas / Supports+caps set	35 sets	5cm	B G Bg N	POM

