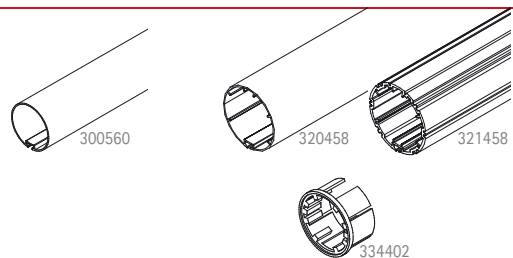


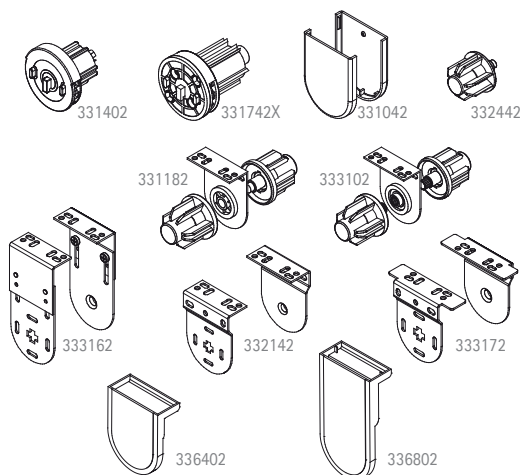
Enrollable Figaro / Figaro roller blind

Perfiles / Profiles



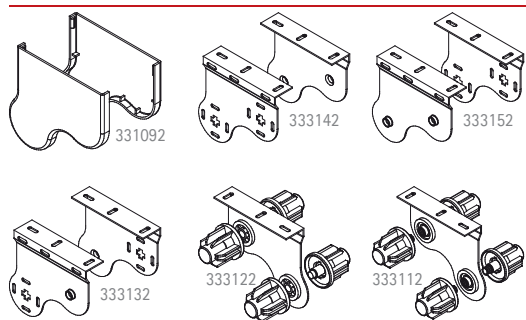
Ref.	Artículo / Article	Uni.	Datos / Data	Color	Mat.
300560	Tubo enrollable 38 / Roller tube 38	60m	Ø38	Al	Alum
320458	Tubo enrollable 44 / Roller tube 44	58,5m	Ø44mm	Al	Alum
321458	Tubo enrollable 48 / Roller tube 48	23,4m	Ø48mm	Al	Alum
334402	Adaptador Figaro / Figaro adapter	40 u.	Ø38->Ø44/48	4 colors	POM

Sistema Figaro / Figaro system



Ref.	Artículo / Article	Uni.	Datos / Data	Color	Mat.
331402	Freno Figaro / Figaro control unit 1:1	50 u.	Ø38 máx.2kg	4 colors	PA
331742X	Freno Figaro LSC / Figaro LSC control 1:2	50 u.	Ø44 máx.4kg	4 colors	PA
331042	Juego tapas Figaro / Figaro end caps	50 sets	70x55mm	4 colors	PP
332442	Contera Figaro / Figaro end plug	40 u.	Ø38mm	4 colors	POM
331182	Soporte central / Central support	50 sets	2mandos/controls	4 colors	Met
333102	Soporte central / Central support	50 sets	1mando/control	4 colors	Met
333162	Sop. extensible / Extendable support	25 sets	65-90mm	4 colors	Met
332142	Soportes 4cm / 4cm Supports	40 sets	40mm	4 colors	Met
333172	Soportes con alas / Support with wings	40 sets	4 - 7,5cm	4 colors	Met
336402	Funda Encelado 4cm / Encelado cover	150 u.	59x72mm	4 colors	ABS
336802	Funda Encelado 8cm / Encelado cover	100 u.	59x112mm	4 colors	ABS

Soportes Dobles / Double supports



Ref.	Artículo / Article	Uni.	Datos / Data	Color	Mat.
331092	Tapas sop. doble / Double support caps	10 sets		4 colors	PP
333142	Soportes derecha / Right hand supports	10 sets		4 colors	Met
333152	Soportes izquierda / Left hand supports	10 sets		4 colors	Met
333132	Soportes opuestos / Opposite supports	10 sets		4 colors	Met
333122	Central doble / Double central support	5 sets	4mandos/controls	4 colors	Met
333112	Central doble / Double central support	5 sets	2mandos/controls	4 colors	Met

Muelles compensación / Spring assist

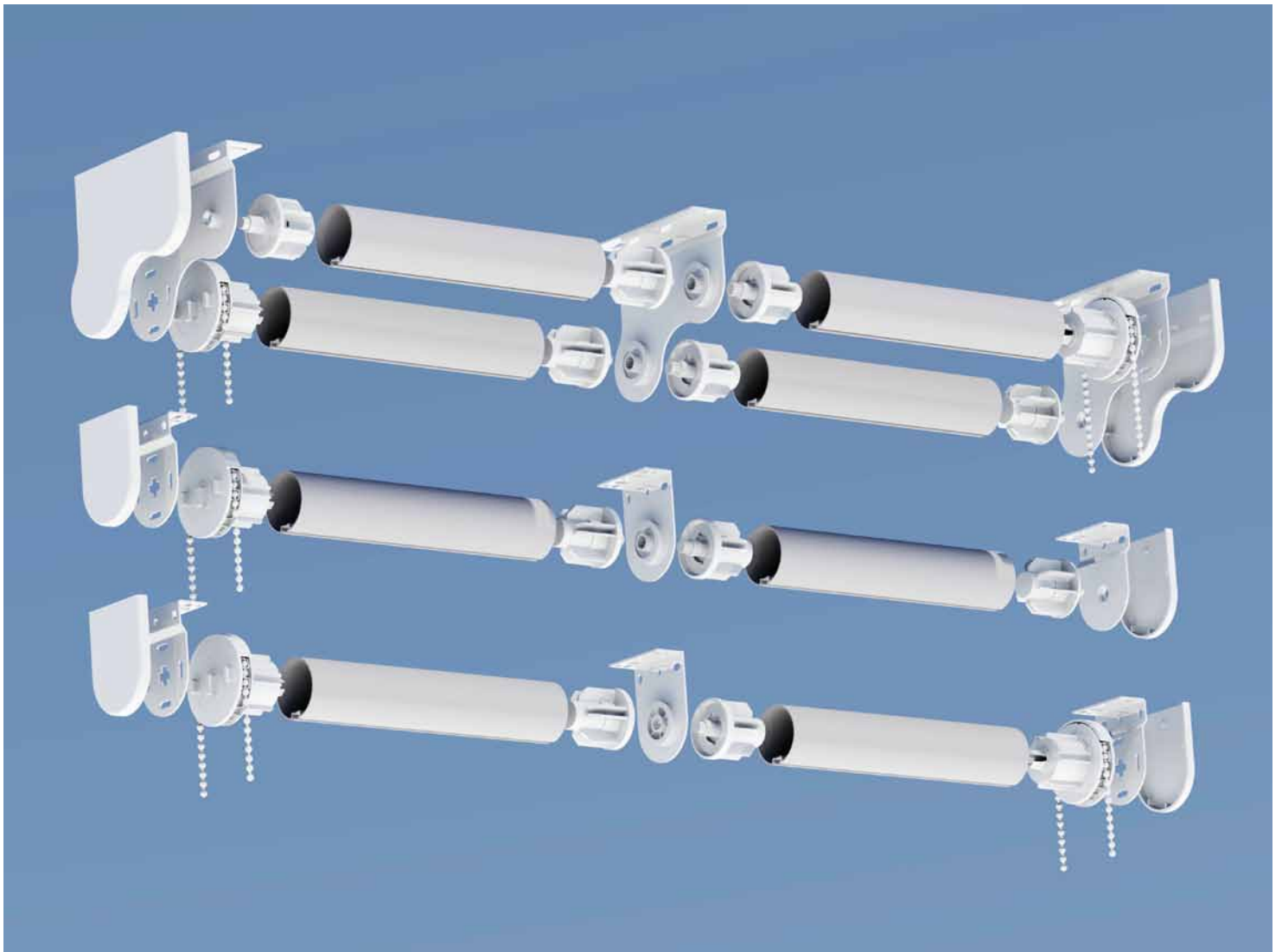
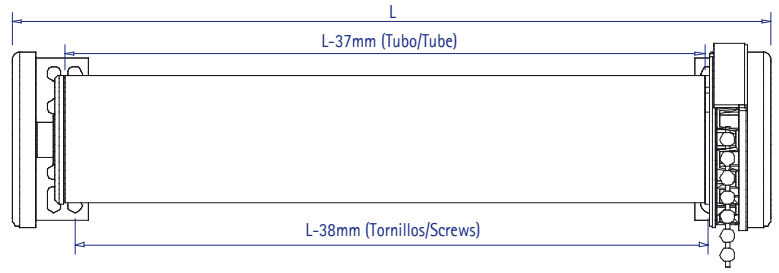
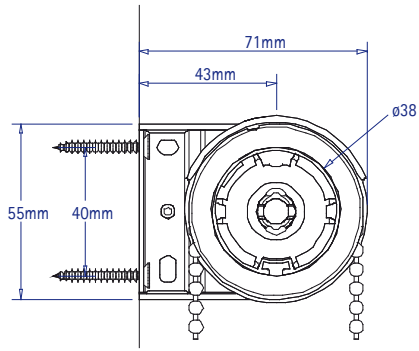


Ref.	Artículo / Article	Uni.	Datos / Data	Color	Mat.
338100	Muelle derecha / Right spring assist	25 u.	Ø38mm	B	Met
338200	Muelle izquierda / Left spring assist	25 u.	Ø38mm	B	Met

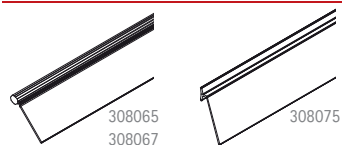
Colores Figaro / Figaro colors

- B Blanco / White
 Bg Beis / Beige
 G Gris / Grey
 N Negro / Black

Medidas instalación / Installation measures

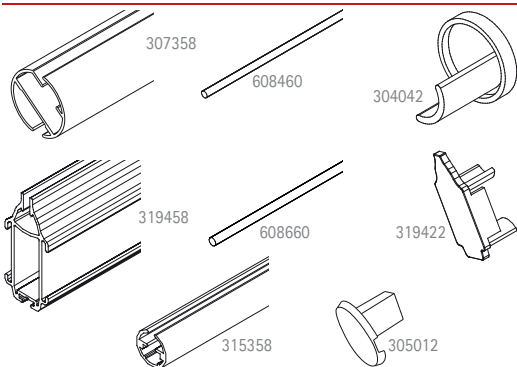


Sistemas de fijación / Fixing systems



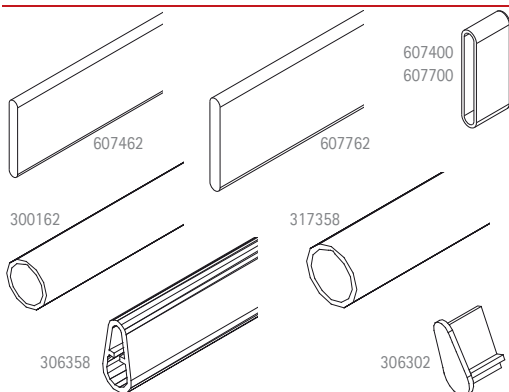
Ref.	Artículo / Article	Uni.	Datos / Data	Color	Mat.
308065	Macarrón redondo / Round plastic strip	200m	Ø3x19x0,7mm	Tr	PVC
308067	Macarrón redondo / Round plastic strip	200m	Ø3x19x0,7mm	Bg	PVC
308075	Macarrón plano / Plane plastic strip	200m	20x3mm	Tr	PVC
308060	Film biadhesivo / Two sides film	18m	9mm	B	
308056	Film biadhesivo / Two sides film	50m	25mm	B	
308057	Film biadhesivo / Two sides film	50m	18mm	B	
308058	Film rígido / Rigid film	250m	9mm	Tr	PVC

Contrapesos exteriores / External bottom rails



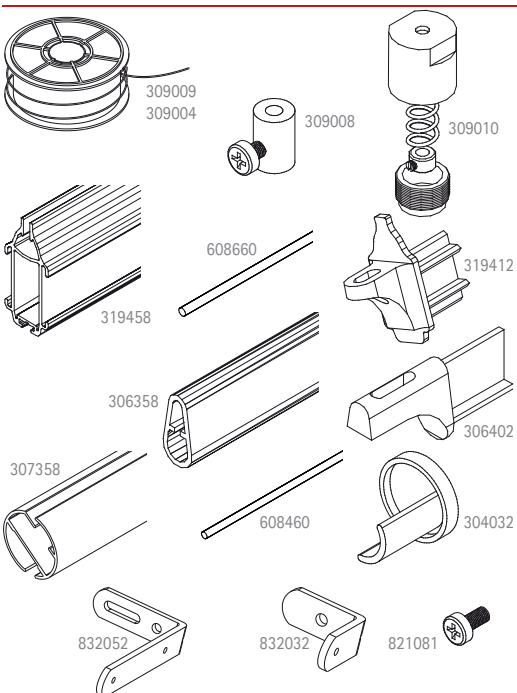
Ref.	Artículo / Article	Uni.	Datos / Data	Color	Mat.
307358	Contrapeso Ø25 / Ø25 Bottom rail	87,75m	Ø22 270g/m	B G Bg N An	Alum
608460	Varilla de fibra / Fibre rod	1.800m	Ø4mm	B	FV
304042	Tapa tubo Ø25 / Ø25 Tube end cap	100 u.	Ø25mm	B G Bg N	PP
319458	Contrap. Calypso / Calypso bottom rail	58,5m	38x17 343g/m	B G Bg N	Alum
608660	Varilla de fibra / Fibre rod	1.800m	Ø6mm	B	FV
319422	Tapa Calypso / Calypso end cap	100 u.	38x17mm	B G Bg N	PP
315358	Contrapeso Nilo / Nile bottom rail	175,5m	Ø15 176g/m	B G Bg N	Alum
305012	Tapa Nilo / Nile end cap	100 u.	Ø17x15mm	B G Bg N	PP

Contrapesos interiores / Internal bottom rails

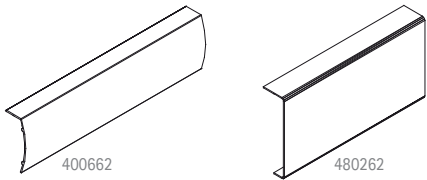


Ref.	Artículo / Article	Uni.	Datos / Data	Color	Mat.
607462	Pletina aluminio / Aluminium bottom bar	180m	3x25 200g/m	B	Alum
607400	Protector pletina / Bottom bar protector	300 u.	3x25mm	Tr	PE
607762	Pletina aluminio / Aluminium bottom bar	180m	3x40 322g/m	B	Alum
607700	Protector pletina / Bottom bar protector	300 u.	3x40mm	Tr	PE
300162	Tubo Ø13 / Ø13 Tube	90m	Ø10-13mm	B	Alum
317358	Tubo Ø15 / Ø15 Tube	120m	Ø12-15mm	B	Alum
306358	Contrapeso Lágrima / Tear bottom rail	117m	10x21 205g/m	Al	Alum
306302	Tapa Lágrima / Tear end cap	200 u.	10x21mm	5 colors	PP

Guiados a cable / Cable guided

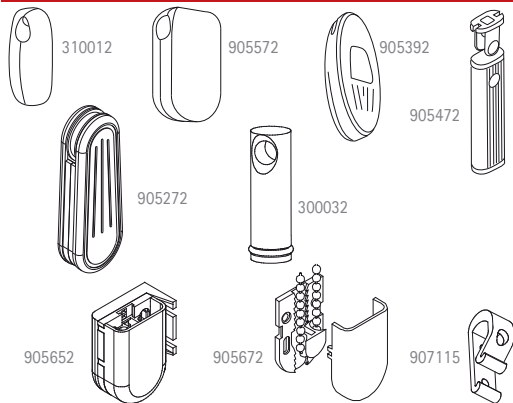


Ref.	Artículo / Article	Uni.	Datos / Data	Color	Mat.
309009	Bobina cable / Cable bobbin	100m	Ø1,8mm	Zn	Met
309004	Bobina cable / Cable bobbin	100m	Ø3mm	Zn	Met
309008	Prisionero Rutroller / Rutroller cable lock	100 u.	max.Ø4mm	Zn	Met
309010	Tensor cable suelo / Cable tensioner	10 u.	Ø20x23mm	Zn	Met
319458	Contrap. Calypso / Calypso bottom rail	58,5m	38x17 343g/m	B G Bg N	Alum
608660	Varilla de fibra / Fibre rod	1.800m	Ø6mm 6m	B	FV
319412	Guía cable Calypso / Calypso cable guide	50 u.	38x17mm	B G Bg N	PP
306358	Contrapeso Lágrima / Tear bottom rail	117m	10x21 205g/m	Al	Alum
306402	Guía cable Lágrima / Tear cable guide	200 u.	10x21mm	B	POM
307358	Contrapeso Ø25 / Ø25 Bottom rail	87,75m	Ø22 270g/m	B G Bg N An	Alum
608460	Varilla de fibra / Fibre rod	1.800m	Ø4mm 6m	B	FV
304032	Guía tubo Ø25 / Ø25 tube cable guide	200 u.	Ø25mm	B G Bg N	POM
832052	Escuadra roscada / Threaded bracket	100 u.	5cm 1xM4	B Zn	Met
832032	Escuadra roscada / Threaded bracket	100 u.	3cm 1xM4	B Zn	Met
821081	Tornillo / Screw M4x8mm	100 u.	DIN7985	Zn	Met



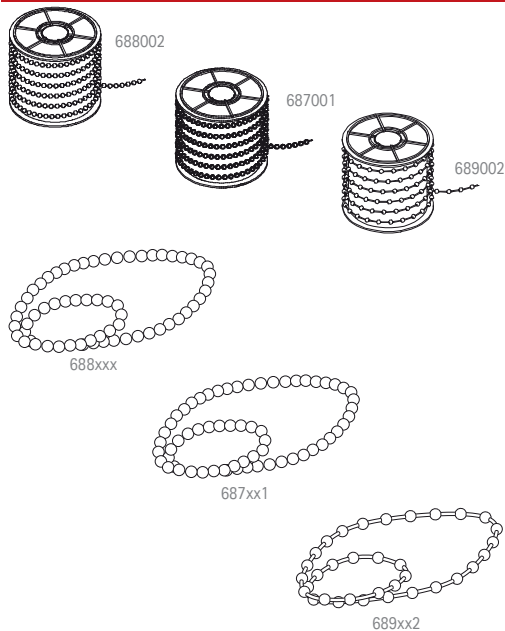
Embellecedores / Covers

Ref.	Artículo / Article	Uni.	Datos / Data	Color	Mat.
400662	Embellecedor Tokyo / Tokyo cover	72m	22x52mm	B An In	Alum
480262	Embellecedor Osaka / Osaka cover	60m	100x30x15mm	B An In	Alum



Contrapesos / Counterweights

Ref.	Artículo / Article	Uni.	Datos / Data	Color	Mat.
310012	Contrapeso Rutroller / Rutroller count.	60 u.	21g Ø20x60	6 colors	PP
905572	Contrapeso Roma / Rome counterw.	40 u.	64g 59x37x20	B	PP
905392	Contrapeso Turin / Turin counterweight	40 u.	68g 90x36x17	B G N Bg	PP
905472	Contrapeso Sidney / Sydney counterw.	40 u.	110g 100x15x32	B	ABS
905272	Contrapeso especial / Special counterw.	32 u.	115g 98x20x35	B G N	PP
300032	Cont. Rutdecor / Rutdecor counterweight	25 u.	108g Ø20x65	Cn Cr Gt	Met
905652	Tensor Lorca / Lorca taut	100 u.	47x22mm	B G N Bg	POM
905672	Tensor Murcia / Murcia taut	100 u.	47x32mm	B	POM
907115	Tensor Yecla / Yecla taut	100 u.	50x20x16mm	Tr	PC



Cadenas / Chains

Ref.	Artículo / Article	Uni.	Datos / Data	Color	Mat.
688002	Cadena continua / Continuous chain	200m	Ø4,5x6mm	6 colors	POM
687001	Cadena metálica / Metal chain	125m	Ø4,5x6mm	Cr	Met
689002	Cadena discontinua / Discont. chain	250m	Ø4,5x12mm	6 colors	POM

Aros cadena continua / Continuous chain rings		100 u.	Ø4,5x6mm	B G Bg N M Tr	POM
688202 - 200cm=1,00m long.	688254 - 250cm=1,25m long.			688302 - 300cm=1,50m long.	
688352 - 350cm=1,75m long.	688402 - 400cm=2,00m long.			688452 - 450cm=2,25m long.	
688502 - 500cm=2,50m long.	688602 - 600cm=3,00m long.				

Aros cadena metálicos / Metallic chain rings		10 u.	Ø4,5x6mm	Cr	Met
687201 - 200cm=1,00m long.	687251 - 250cm=1,25m long.			687301 - 300cm=1,50m long.	
687351 - 350cm=1,75m long.	687401 - 400cm=2,00m long.			687501 - 500cm=2,50m long.	

Aros cadena discontinua / Discontinuous chain rings		100 u.	Ø4,5x12mm	B	POM
689202 - 200cm=1,00m long.	689252 - 250cm=1,25m long.			689302 - 300cm=1,50m long.	
689352 - 350cm=1,75m long.	689402 - 400cm=2,00m long.			689502 - 500cm=2,50m long.	

Empalmes cadena / Chain joints

Ref.	Artículo / Article	Uni.	Datos / Data	Color	Mat.
310112	Empalme jaula / Cage joint	200 u.	8x8x12mm	6 colors	PC
310202	Empalme cápsula / Capsule joint	1.000 u.	Ø8x18mm	6 colors	PP
685062	Empalme extra / Extra joint	300 u.	32mm	B	ABS
310122	Empalme 3 bolas / 3 Balls joint	200 u.	Ø4,5x6mm	B G Bg N Tr	POM
685382	Empalme Castellón / Castellon joint	100 u.	17x7x7mm	B	PA
685152	Empalme cilindro / Cilynder joint	500 u.	Ø4,5x18mm	B	POM
687010	Alicates para empalme / Splicing tool	1 u.	125x70x16mm	Zn	Met
685071	Empalme continuo 2bolas / 2Balls joint	1.000 u.	Ø4,5x6mm	Zn	Met
685081	Empalme Valencia / Valencia joint	100 u.	Ø6x13mm	Zn	Met
310102	Stopper cadena / Chain stopper	500 u.	Ø8,5mm	B Tr	PC